

FM-233 REV H

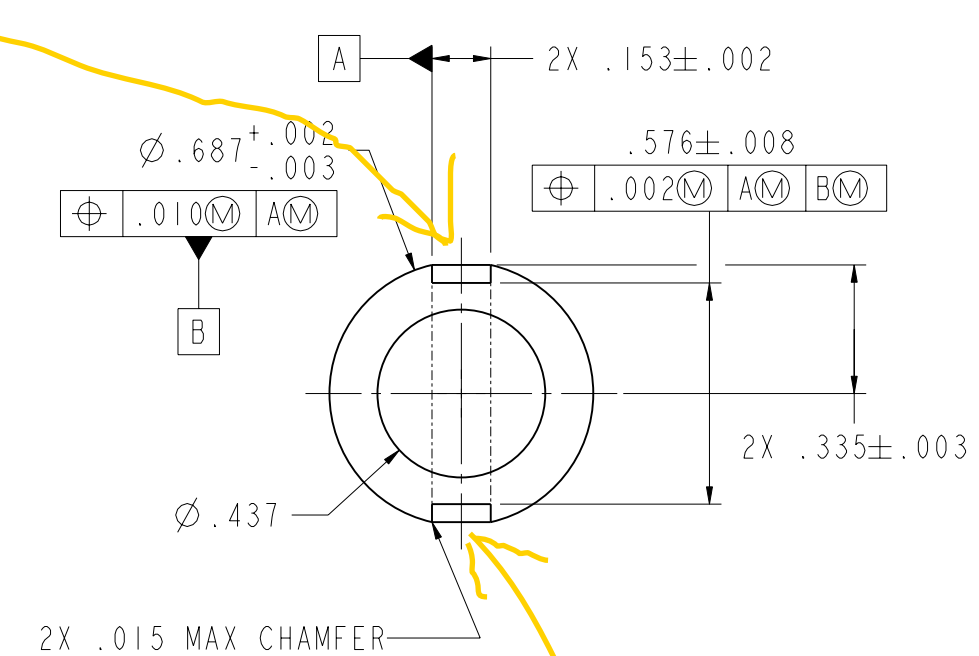
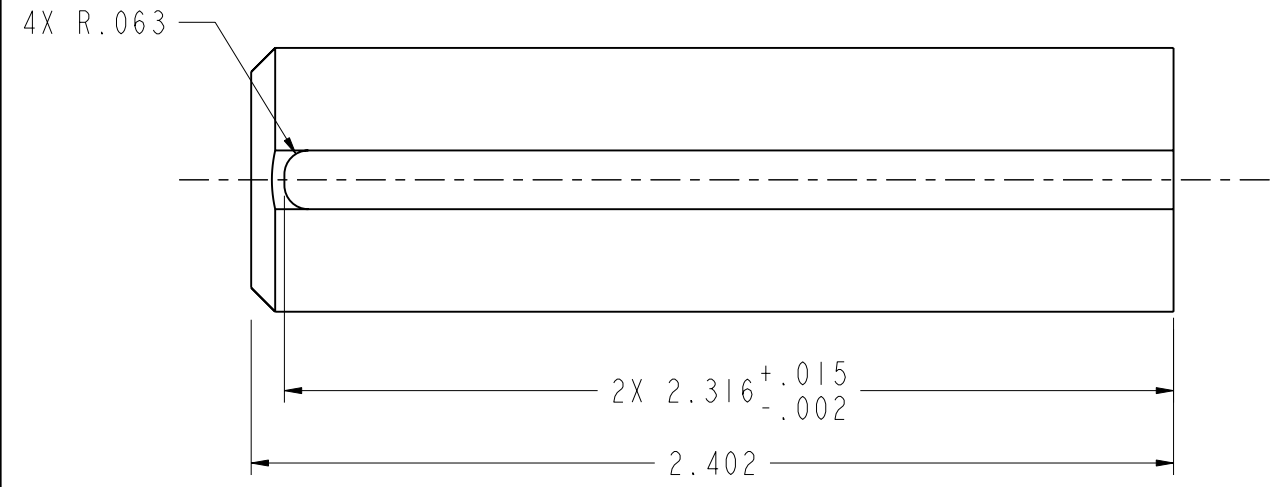
D

C

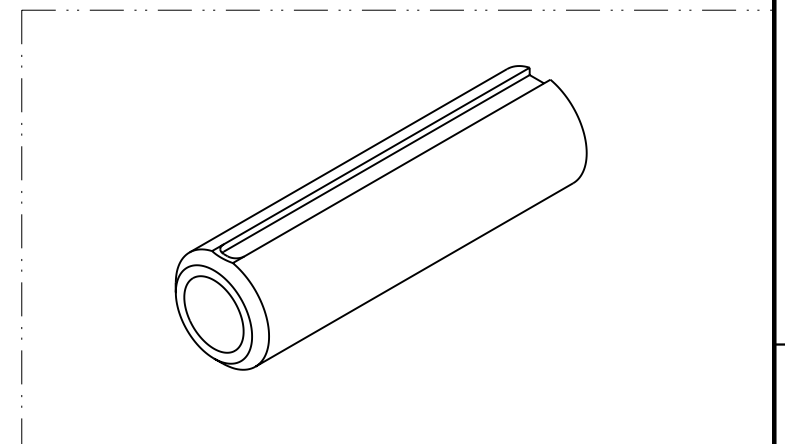
B

NAME:KNAHAVANDI OBJECT:6500-003-109 DATE:12-AUG-13 00:06:19

8 7 6 5 4 3 2 1

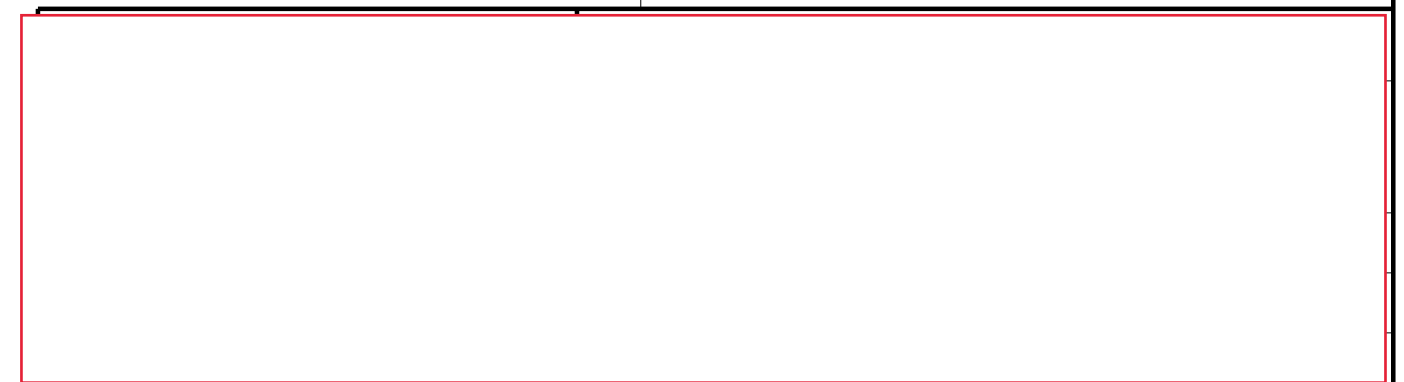


REVISION HISTORY				
ZONE	REV	DESCRIPTION	DATE	BY
-	A	INITIAL RELEASE	09-29-11	TEC
D4-1	B1	IS: 2X .149±.003 WAS: 2X .155±.003	08-30-12	KN
C8-1	B2	IS: 4X R.063 WAS: 2X R.078		
B6-1	B3	IS: 2X 2.164 +.015/-.002 WAS: 2X 2.080 +.015/-.002	12-28-12	TEC
C3-1	C1	Ø.687 +.002/-.005 [A]; WAS: Ø.688 ±.005		
D4-1	C2	2X .288±.004; WAS 2X .290±.005		
D4-1	C3	2X .153±.002 [] .010 [A]; WAS: 2X .149±.003	03-28-13	KN
C5-1	C4	ADDED: 2X .015 MAX CHAMFER		
D3-1	D1	ADDED: 2X .335±.003	07-25-13	KN
B6-1	E1	2.402; WAS 2.252		
B6-1	E2	2X 2.316+.015/-.002 WAS; 2X 2.166+.015/-.002		
D3-1	E3	2X .153±.002; WAS 2X .153±.002 [] .010 [A]	07-25-13	KN
D4-1	E4	Ø.687+.002/-.003 [] .010 [A] [A] -B-; WAS Ø.687+.002/-.005		
D3-1	E5	REMOVED: 2X .288±.004	07-25-13	KN
D3-1	E6	ADDED: Ø.576±.008 [] .002 [M] [A] [B]		
D4-1	E7	RELOCATED DATUM A		



NOTES:

- SUPPLIER TO PROVIDE CERTIFICATE THAT PART IS REACH COMPLIANT PER ES-0604 WITH FIRST ARTICLE SUBMISSION.
- SUPPLIER TO PROVIDE CERTIFICATE THAT PART IS ROHS COMPLIANT PER ES-0520 WITH FIRST ARTICLE SUBMISSION.



8 7 6 5 4 3 2 1