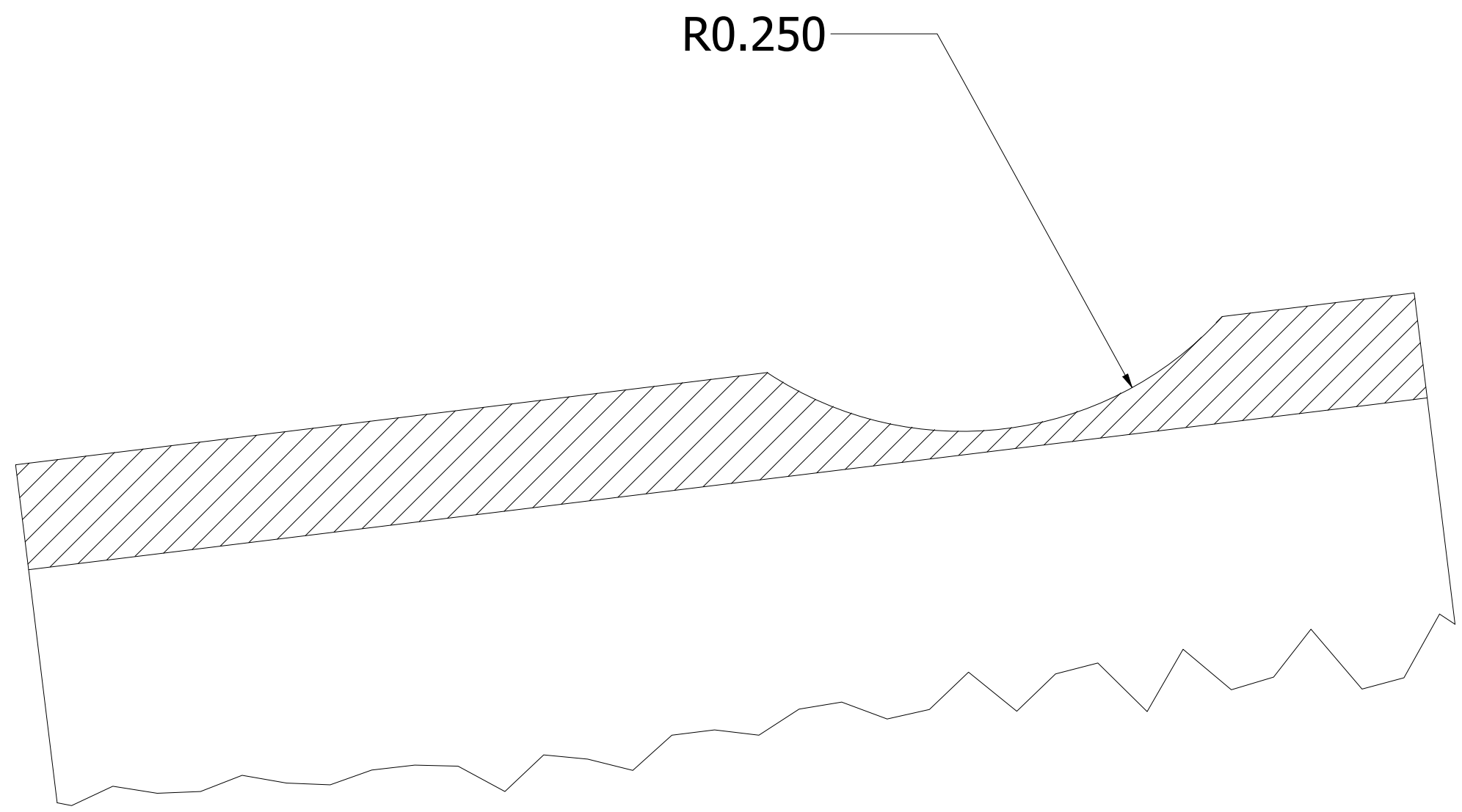
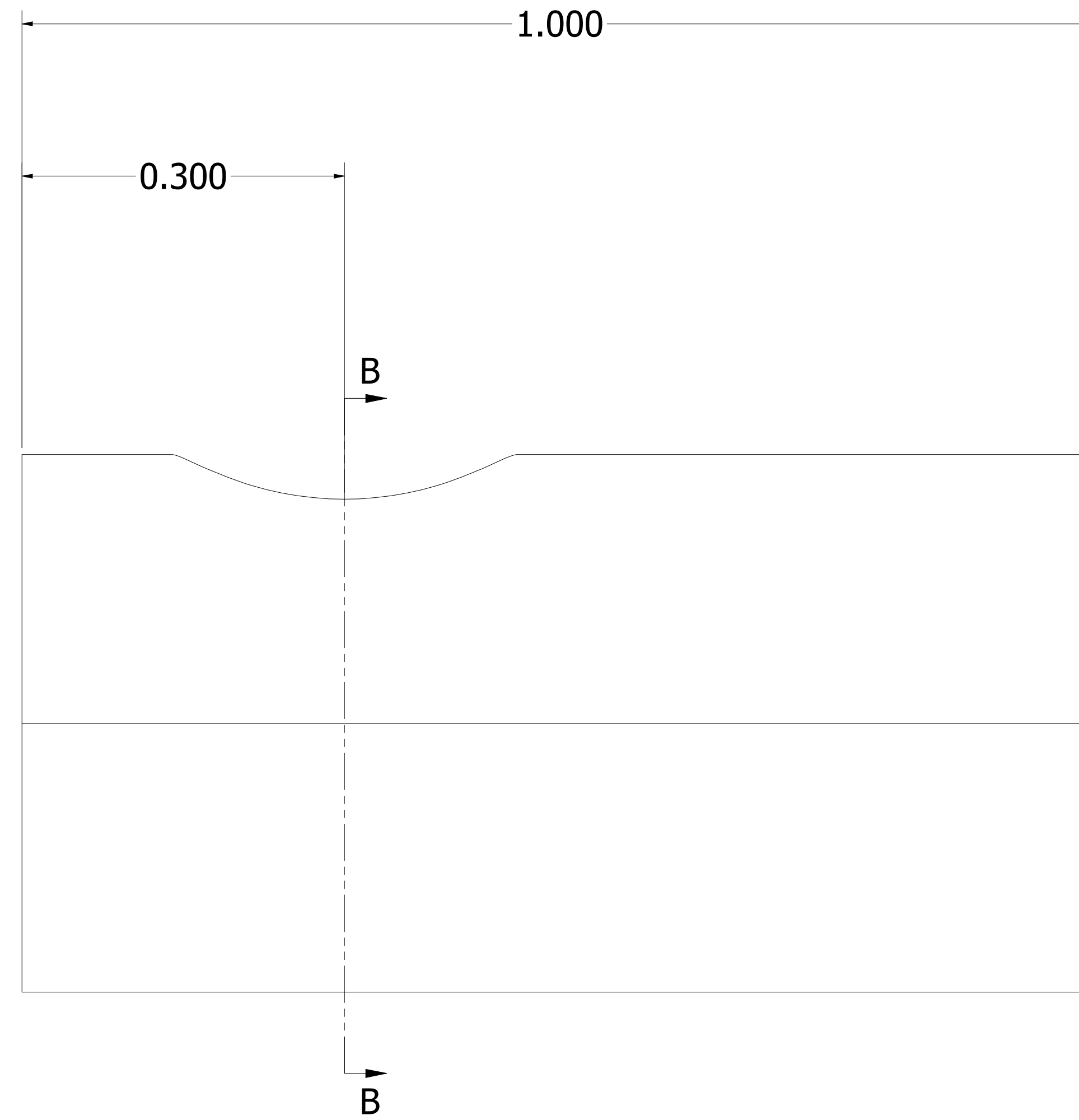
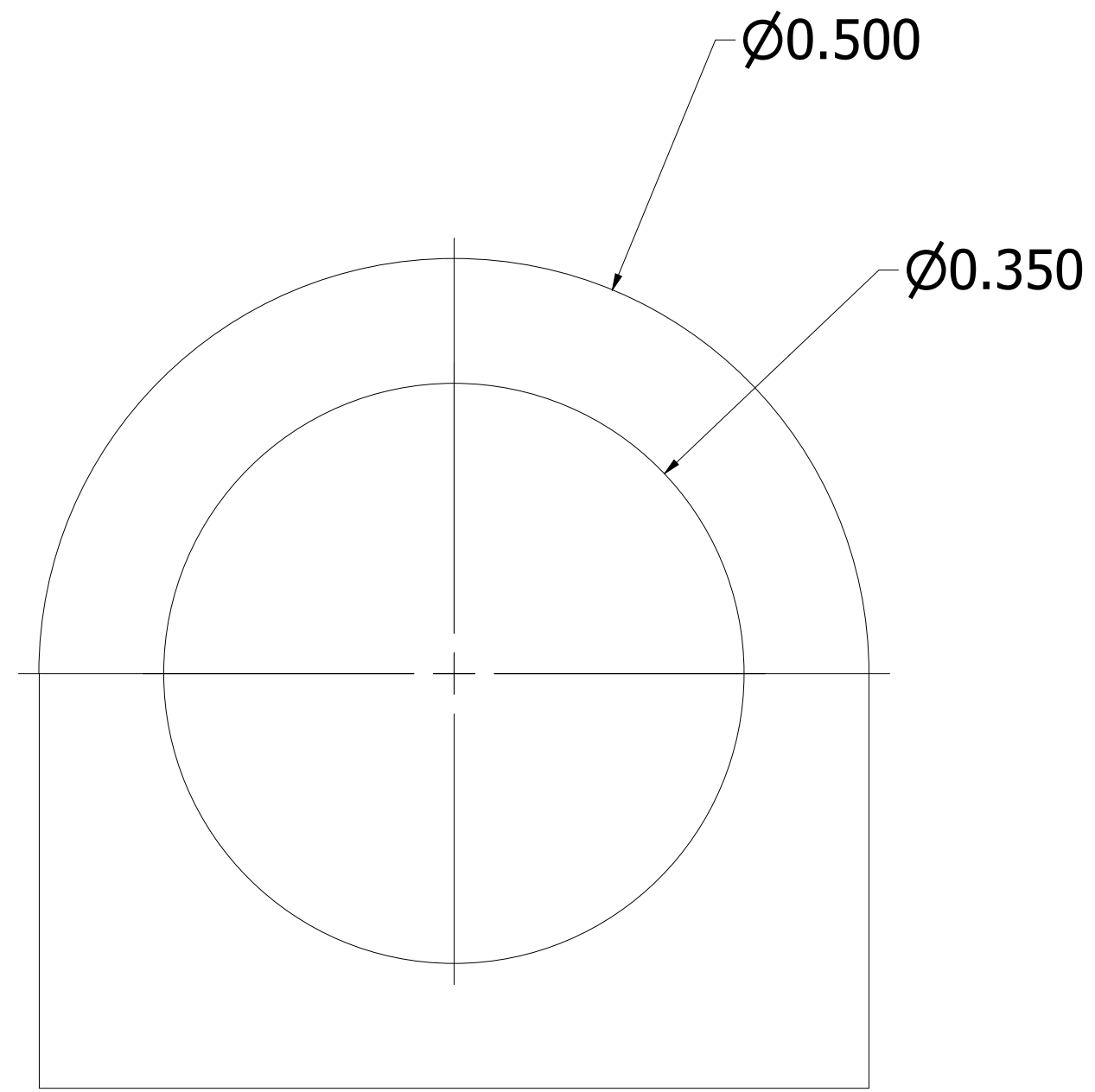
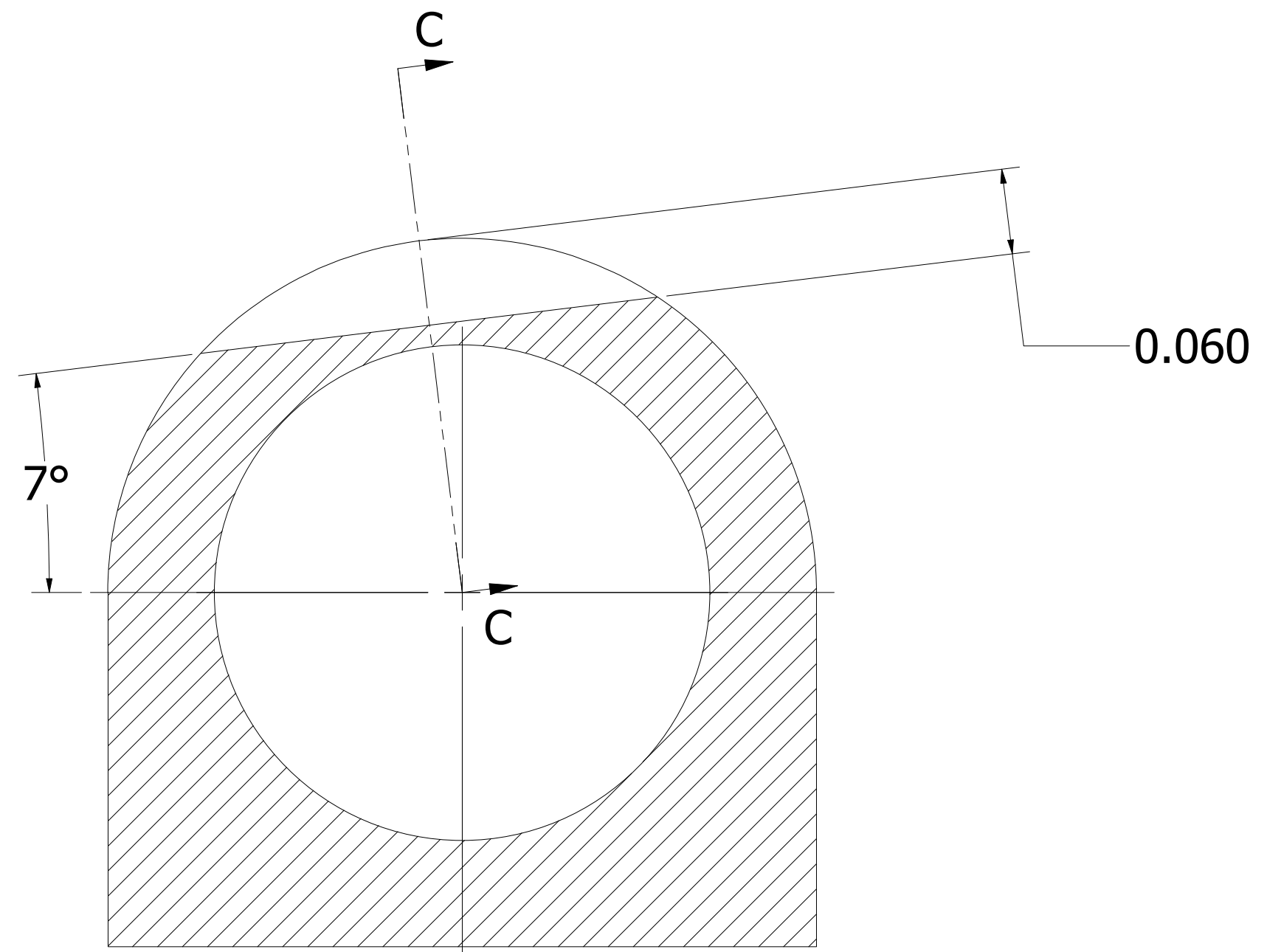


8 7 6 5 4 3 2 1



DRAWN	1/18/2023		
CHECKED		TITLE	
QA			
MFG			
APPROVED			
		SIZE	DWG NO
		D	PCDMIS Example_01
		SCALE	REV
		10 : 1	1
			SHEET 1 OF 1

8 7 6 5 4 3 2 1