

4

3

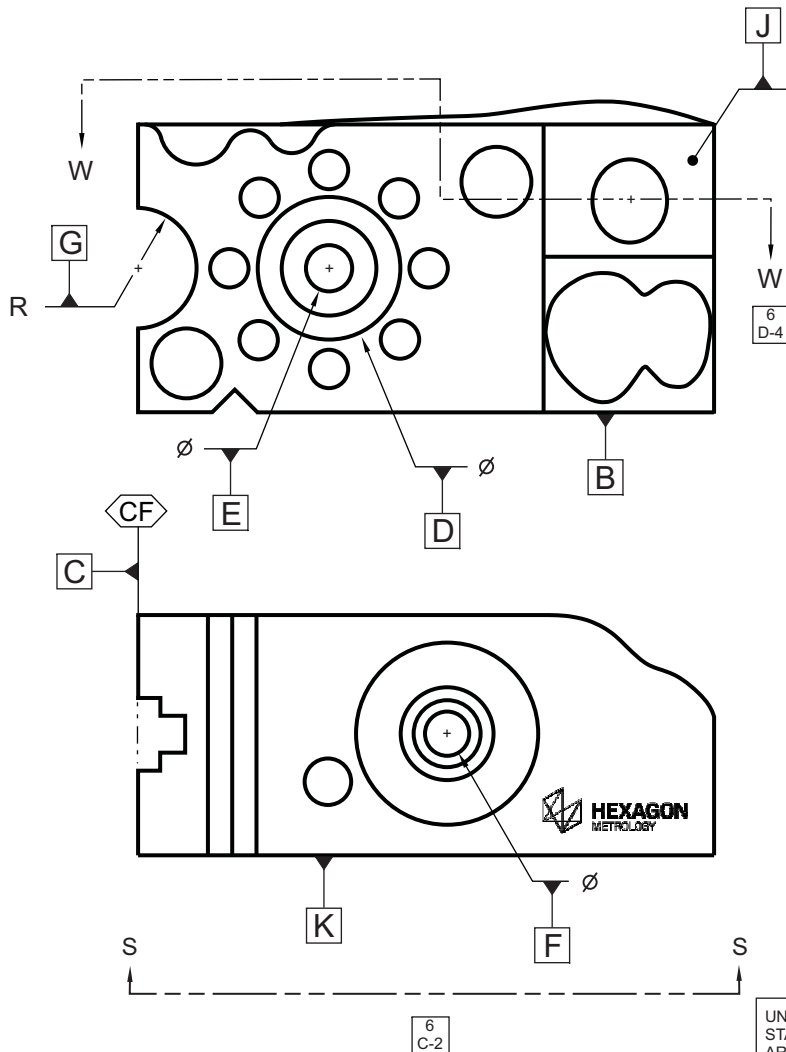
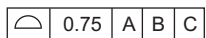
2

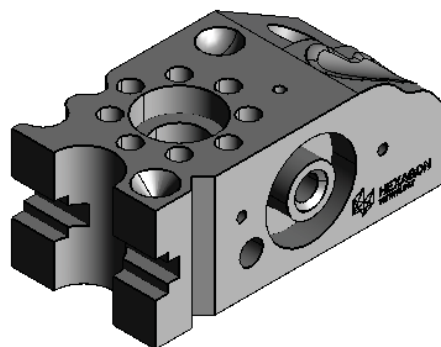
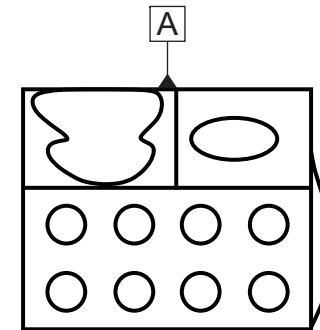
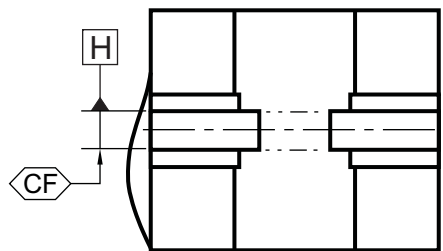
1

NOTES:

1. THIS IS A PARTIALLY DIMENSIONED DRAWING USED IN CONJUNCTION WITH THE 3D MODEL TO DEFINE THE FINISHED PART. UNLESS NOTED, THE 3D MODEL IS THE MASTER AND TAKES PRECEDENCE OVER THE DRAWING.

2 ALL UNDIMENSIONED SURFACES TO COMPLY WITH:





UNLESS OTHERWISE STATED, ALL DIMENSIONS ARE IN MILLIMETERS.
TOLERANCES ARE:
x = +/- 0.4
x.x = +/- 0.25
x.xx = +/- 0.1
ANGLES = +/- 0.5°



250 CIRCUIT DRIVE, N. KINGSTOWN, RI 02852

HEXAGON DEMO BLOCK
DTBlock - Small
(FOR TRAINING USE ONLY)

DIMENSIONS & TOLERANCES PER ASME Y14.5-2009

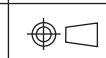
CREATED BY: DATE:
DAT 30-OCT-2014

SIZE:
ANSI A

DWG NO:
H009940 (kit)

REV:
NEW

CHECKED BY: DATE:
NMN 17-JULY-2015



SCALE:
1:1.5

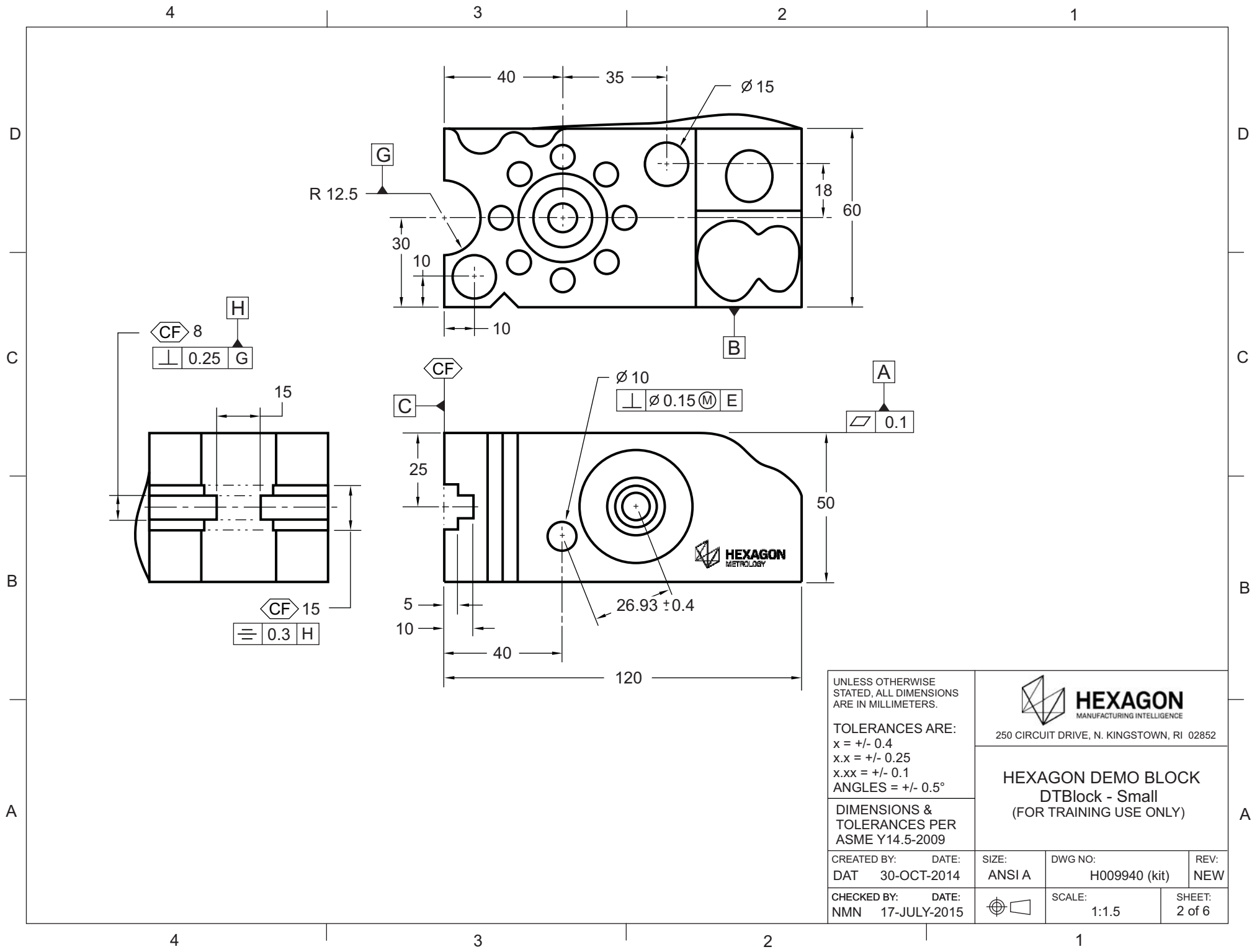
SHEET:
1 of 6

4

3

2

1




UNLESS OTHERWISE STATED, ALL DIMENSIONS ARE IN MILLIMETERS.

TOLERANCES ARE:
 x = +/- 0.4
 x.x = +/- 0.25
 x.xx = +/- 0.1
 ANGLES = +/- 0.5°

DIMENSIONS & TOLERANCES PER ASME Y14.5-2009

CREATED BY: DATE:
 DAT 30-OCT-2014

CHECKED BY: DATE:
 NMN 17-JULY-2015

 HEXAGON MANUFACTURING INTELLIGENCE 250 CIRCUIT DRIVE, N. KINGSTOWN, RI 02852		
		HEXAGON DEMO BLOCK DTBlock - Small (FOR TRAINING USE ONLY)
SIZE: ANSI A	DWG NO: H009940 (kit)	REV: NEW
SCALE: 1:1.5	SHEET: 2 of 6	

4

3

2

1

D

C

B

A

D

C

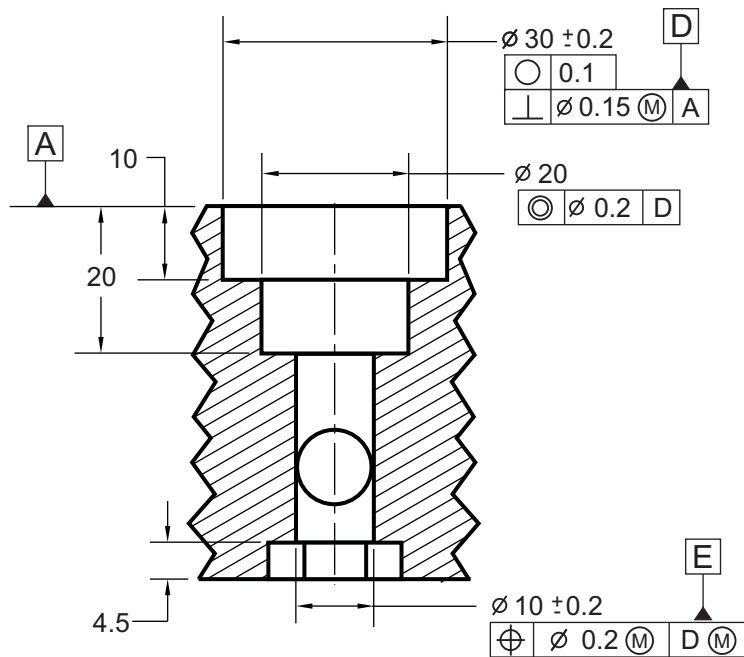
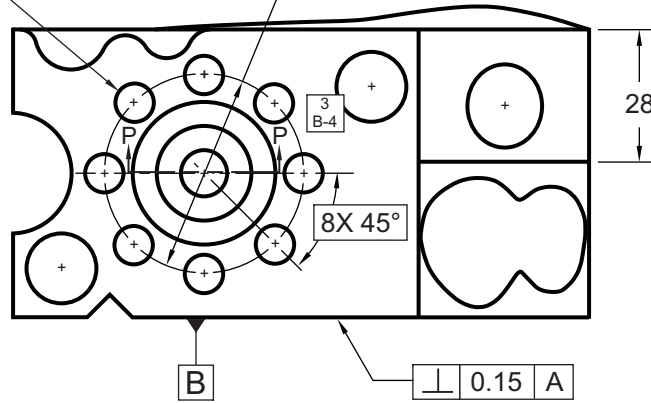
B

A

⊕	∅ 0.4 (M)	A	D (M)	B
	∅ 0.2 (M)	A		

8X ∅ 8.2

∅ 41



Section P - P
Scale 1:1

3
D-3

UNLESS OTHERWISE STATED, ALL DIMENSIONS ARE IN MILLIMETERS.

TOLERANCES ARE:

x = +/- 0.4
x.x = +/- 0.25
x.xx = +/- 0.1
ANGLES = +/- 0.5°

DIMENSIONS & TOLERANCES PER ASME Y14.5-2009

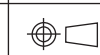
CREATED BY: DATE:
DAT 30-OCT-2014

SIZE:
ANSI A

DWG NO:
H009940 (kit)

REV:
NEW

CHECKED BY: DATE:
NMN 17-JULY-2015



SCALE:
1:1.5

SHEET:
3 of 6



250 CIRCUIT DRIVE, N. KINGSTOWN, RI 02852

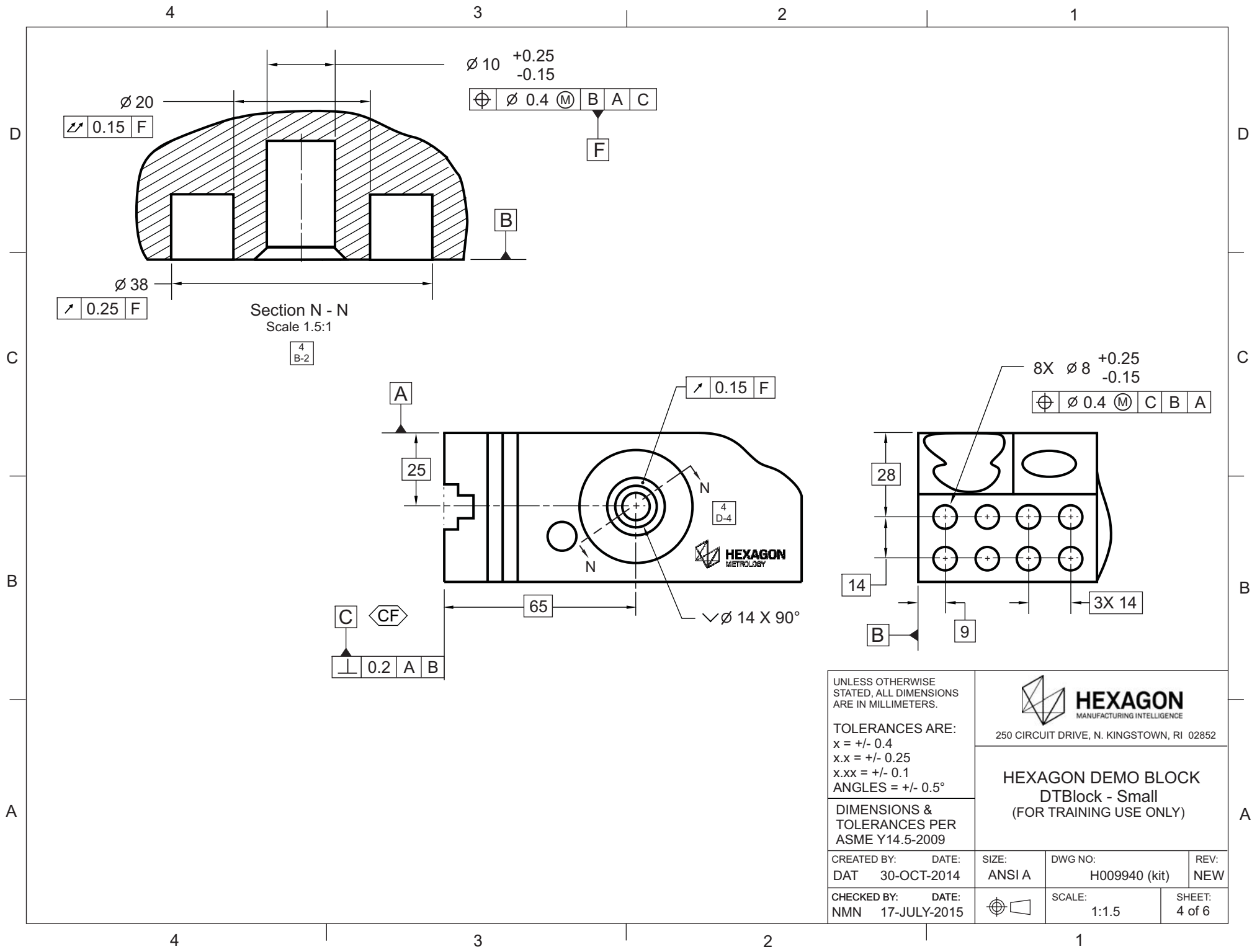
HEXAGON DEMO BLOCK
DTBlock - Small
(FOR TRAINING USE ONLY)

4

3

2

1



Surface texture symbol: $\sqrt{\text{0.15}}$ F

Dimension: $\varnothing 10 \begin{matrix} +0.25 \\ -0.15 \end{matrix}$
 Feature control frame: $\varnothing 0.4 \text{ (M) B A C}$

Surface texture symbol: $\sqrt{\text{0.25}}$ F

Section N - N
 Scale 1.5:1

Feature control frame: $\sqrt{\text{0.15}}$ F

Feature control frame: $\sqrt{\text{0.15}}$ F

Dimension: $8X \varnothing 8 \begin{matrix} +0.25 \\ -0.15 \end{matrix}$
 Feature control frame: $\varnothing 0.4 \text{ (M) C B A}$

HEXAGON METROLOGY

Chamfer: $\sqrt{\varnothing 14 X 90^\circ}$

UNLESS OTHERWISE STATED, ALL DIMENSIONS ARE IN MILLIMETERS.

HEXAGON
 MANUFACTURING INTELLIGENCE

250 CIRCUIT DRIVE, N. KINGSTOWN, RI 02852

TOLERANCES ARE:
 x = +/- 0.4
 x.x = +/- 0.25
 x.xx = +/- 0.1
 ANGLES = +/- 0.5°

HEXAGON DEMO BLOCK
 DTBlock - Small
 (FOR TRAINING USE ONLY)

DIMENSIONS & TOLERANCES PER ASME Y14.5-2009

CREATED BY: DAT
 DATE: 30-OCT-2014

SIZE: ANSI A

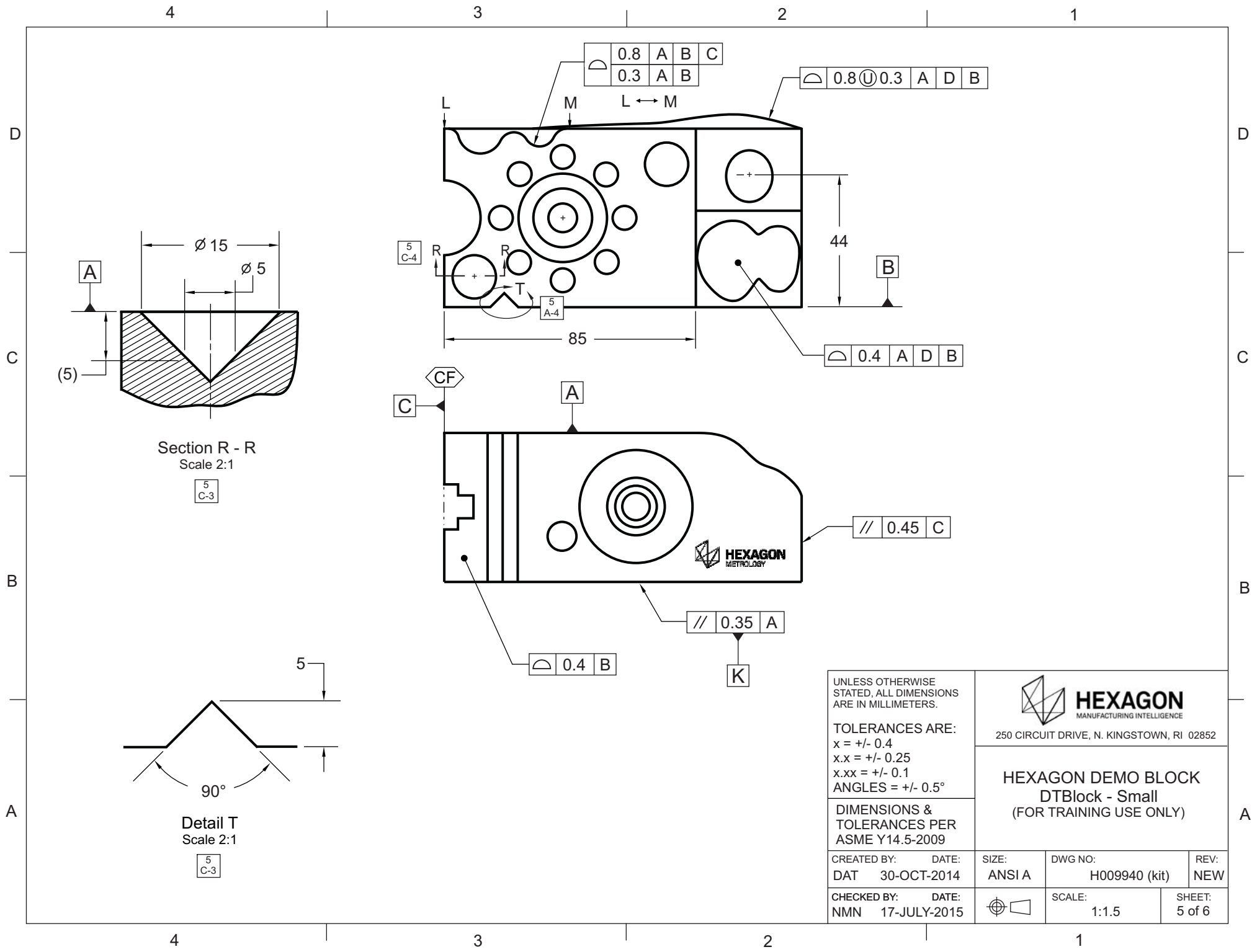
DWG NO: H009940 (kit)

REV: NEW

CHECKED BY: NMN
 DATE: 17-JULY-2015

SCALE: 1:1.5

SHEET: 4 of 6



UNLESS OTHERWISE STATED, ALL DIMENSIONS ARE IN MILLIMETERS.

TOLERANCES ARE:
 x = +/- 0.4
 x.x = +/- 0.25
 x.xx = +/- 0.1
 ANGLES = +/- 0.5°

 **HEXAGON**
 MANUFACTURING INTELLIGENCE
 250 CIRCUIT DRIVE, N. KINGSTOWN, RI 02852

HEXAGON DEMO BLOCK
DTBlock - Small
 (FOR TRAINING USE ONLY)

CREATED BY: DATE:
 DAT 30-OCT-2014

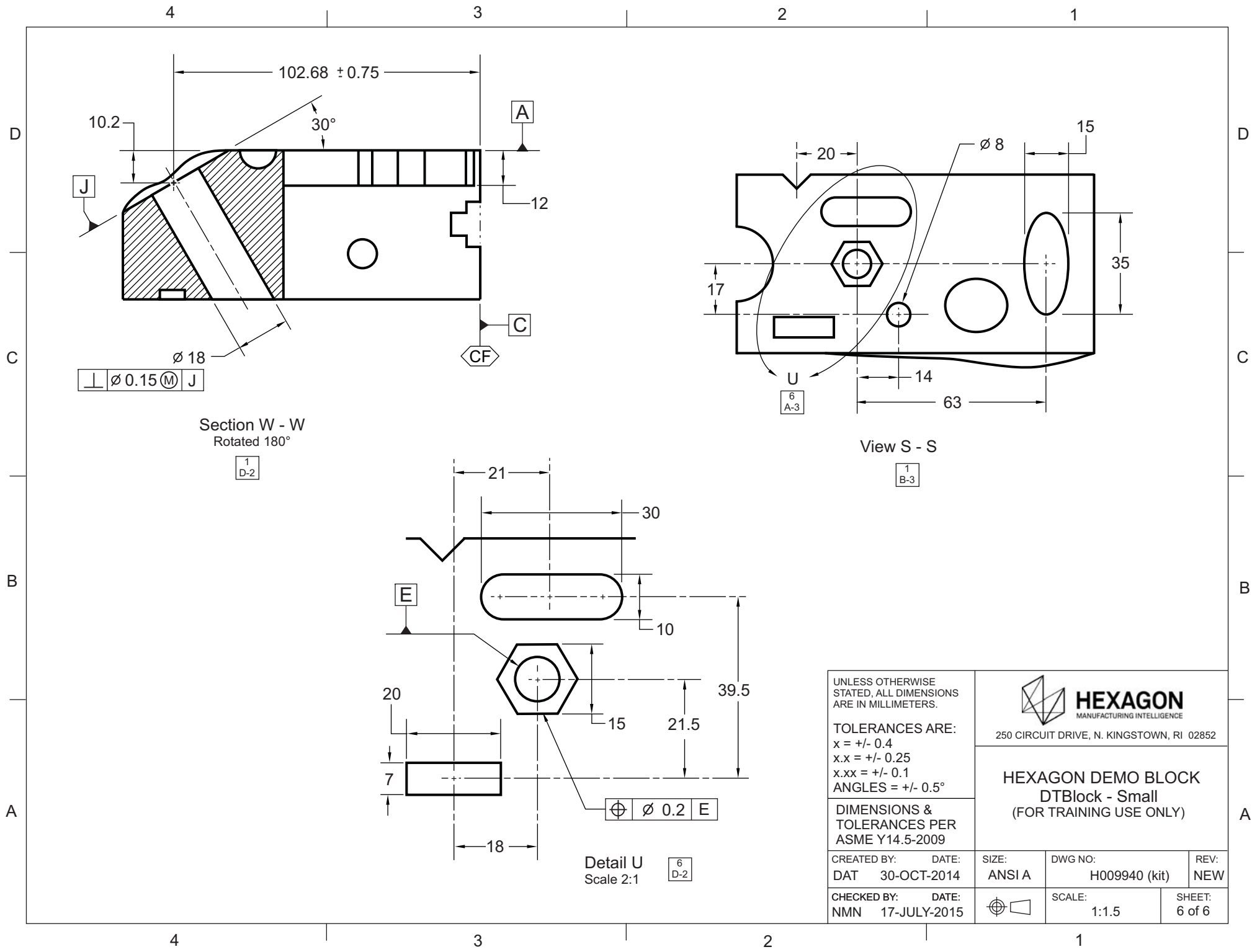
CHECKED BY: DATE:
 NMN 17-JULY-2015

SIZE:
 ANSI A



DWG NO: H009940 (kit)
 REV: NEW

SCALE: 1:1.5
 SHEET: 5 of 6



⊥ ∅ 0.15 (M) J

Section W - W
Rotated 180°

1
D-2

View S - S

1
B-3

Detail U
Scale 2:1

6
D-2

UNLESS OTHERWISE STATED, ALL DIMENSIONS ARE IN MILLIMETERS.

TOLERANCES ARE:
 x = +/- 0.4
 x.x = +/- 0.25
 x.xx = +/- 0.1
 ANGLES = +/- 0.5°

DIMENSIONS & TOLERANCES PER ASME Y14.5-2009

CREATED BY: DATE:
 DAT 30-OCT-2014

CHECKED BY: DATE:
 NMN 17-JULY-2015



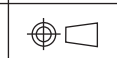
250 CIRCUIT DRIVE, N. KINGSTOWN, RI 02852

HEXAGON DEMO BLOCK
 DTBlock - Small
 (FOR TRAINING USE ONLY)

SIZE:
 ANSI A

DWG NO:
 H009940 (kit)

REV:
 NEW



SCALE:
 1:1.5

SHEET:
 6 of 6