



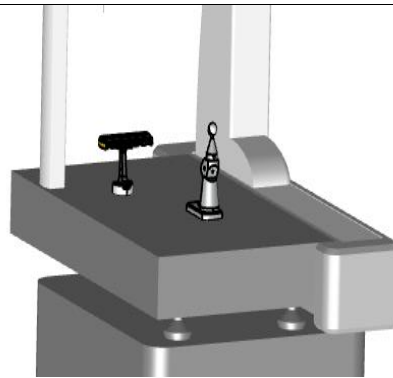
## Auto Calibrate Rack

*How to auto-calibrate a probe rack, including programmatical analysis and output of calibration data.*



Level: 1

Author: Neil Challinor



<b>Files</b>	AutoCalibrate_Tips_With_ProbeChanger – v1.0 – 001.CAD AutoCalibrate_Tips_With_ProbeChanger – v1.0 – 001.PRG HP_TMB_SF_2X20.PR HP_TMB_SF_2X40.PR HP_TMB_SF_3X30.PR HP_TMB_SF_5wayStar.PR
<b>Setup</b>	Unzip *.PRG and *.CAD to your routine folder, and *.PRB to your probe folder.
<b>Detail</b>	<p>This example is not intended to be executed, the intention is to demonstrate how best to structure an auto-calibration routine and give examples of some useful programming methods to automatically assess the calibration results.</p> <p>There are numerous comments throughout the routine that explain the methodology in more detail.</p>