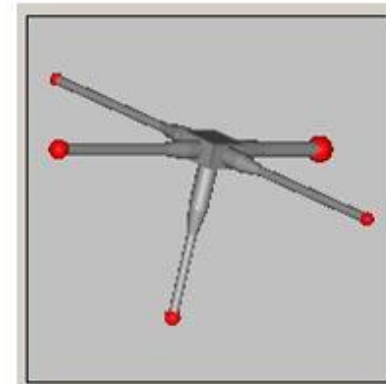


ITEM:TIP_SPECIAL_STAR M3

```

begintip
ribcount 10
color 142 142 142
cylinder 0 0 0 0 -8 8
cone 0 0 -8 8 0 0 -10 4
cylinder 0 0 -10 0 0 -18 2
sphere 0 0 -20 4
connect 0 0 -22 0 0 1 M2
connect 2 0 -20 -1 0 0 M2
connect 0 2 -20 0 -1 0 M2
connect -2 0 -20 1 0 0 M2
connect 0 -2 -20 0 1 0 M2
endtip
  
```



You don't have to fill all five connections.

The tip assigned to **Empty Connection # 1** points in the same direction as the rail on which it rests. This is the Z- direction.
 The tip assigned to **Empty Connection # 2** points in the X+ direction.
 The tip assigned to **Empty Connection #3** points in the Y+ direction.
 The tip assigned to **Empty Connection #4** points in the X- direction.
 The tip assigned to **Empty Connection #5** points in the Y- direction.



ITEM:TIP_SPECIAL_M2

```

begintip
ribcount 10
color 142 142 142
cylinder 0 0 0 0 -19.5 1.5
color 255 0 0
sphere 0 0 -20 2
hotspot 0 0 -20 0 0 1 2 2 ball
endtip
  
```